

GENERAL NOTES:
 a. D = INSIDE DIA. OF PIPE
 b. ALL DIMENSIONS SHOWN ARE MINIMUMS.
 c. ALL HIDDEN LINES INDICATE SUGGESTED SUMP CONFIGURATIONS.

SUMP SECTIONS PER ASME A112.19.8-2007

SCALE: N.T.S.

DEPTH MARKINGS FOR POOL

- All depth markings shall be tile.
- Depth markings shall indicate depth within 3 inches when measured 3 feet from pool wall at normal water level.
- Depth markings shall be maximum 25 feet in perimeter distance apart.
- Depth markings & "No Diving" signs shall have letters & numbers a min. 4 inches high in contrasting color. "No Entry" markings shall be slip resistant tile w/ 4" letters.
- Wall markings shall be placed at the back of the gutter, w/ prior approval, marking may be located on the pool wall at the water level.
- Red 4 inch International "NO DIVING" symbol may be substituted for "NO DIVING" tiles.
- Deck markings shall be within 2 feet of the water.
- Horizontal markings shall have slip resistant finish.

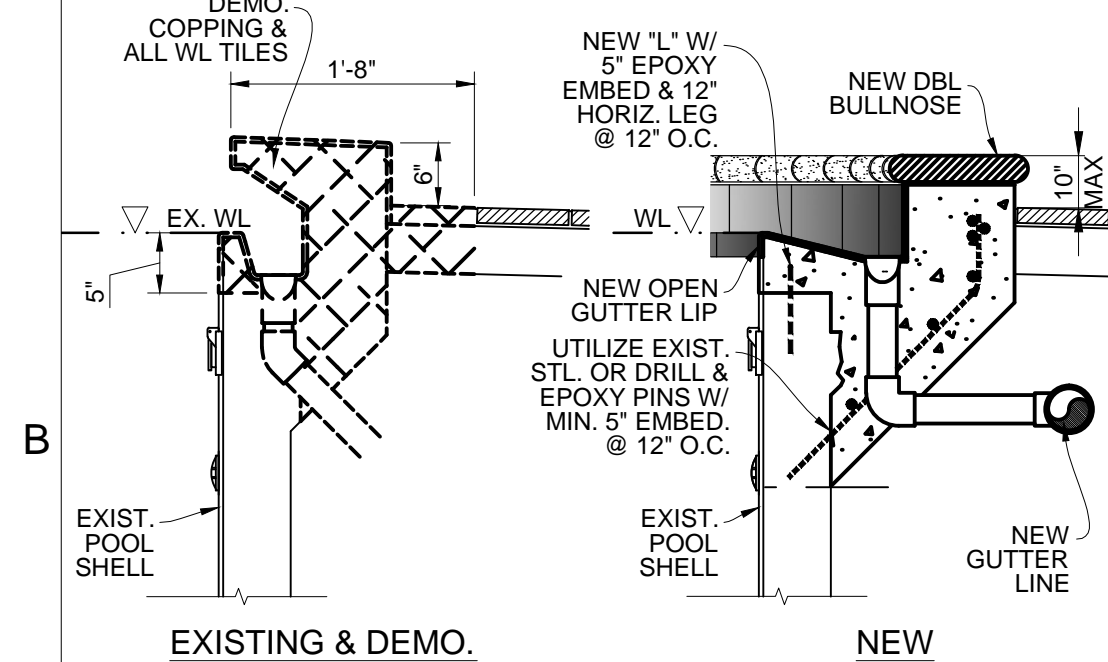
Wall Marking	Deck Marking
A 3 FT	3 FT
B 4 FT	NO DIVING
C 5 FT	NO DIVING
D 6 FT	NO DIVING
E 11 FT	NO DIVING
F 9 FT	NO DIVING



MUST VERIFY DEPTH AT MARKER LOCATION

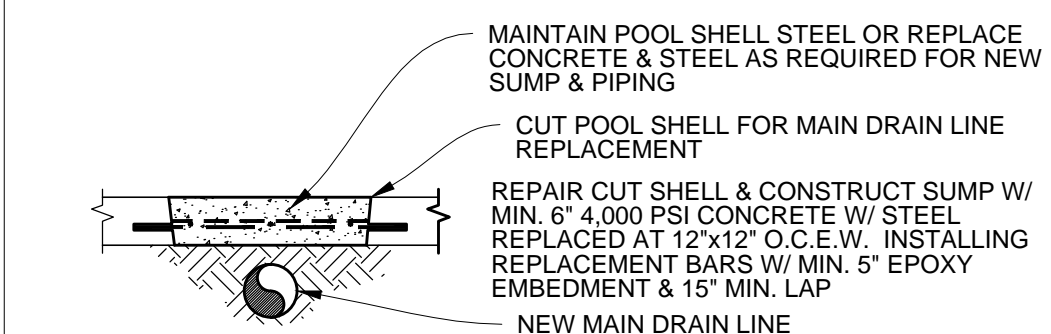
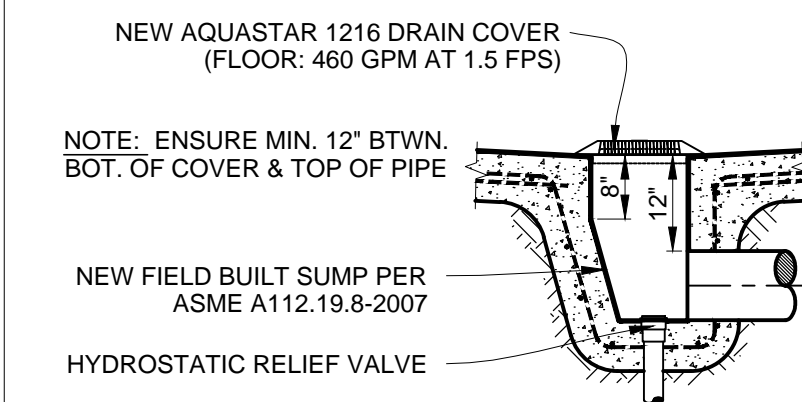
DEPTH MARKINGS

SCALE: N.T.S.



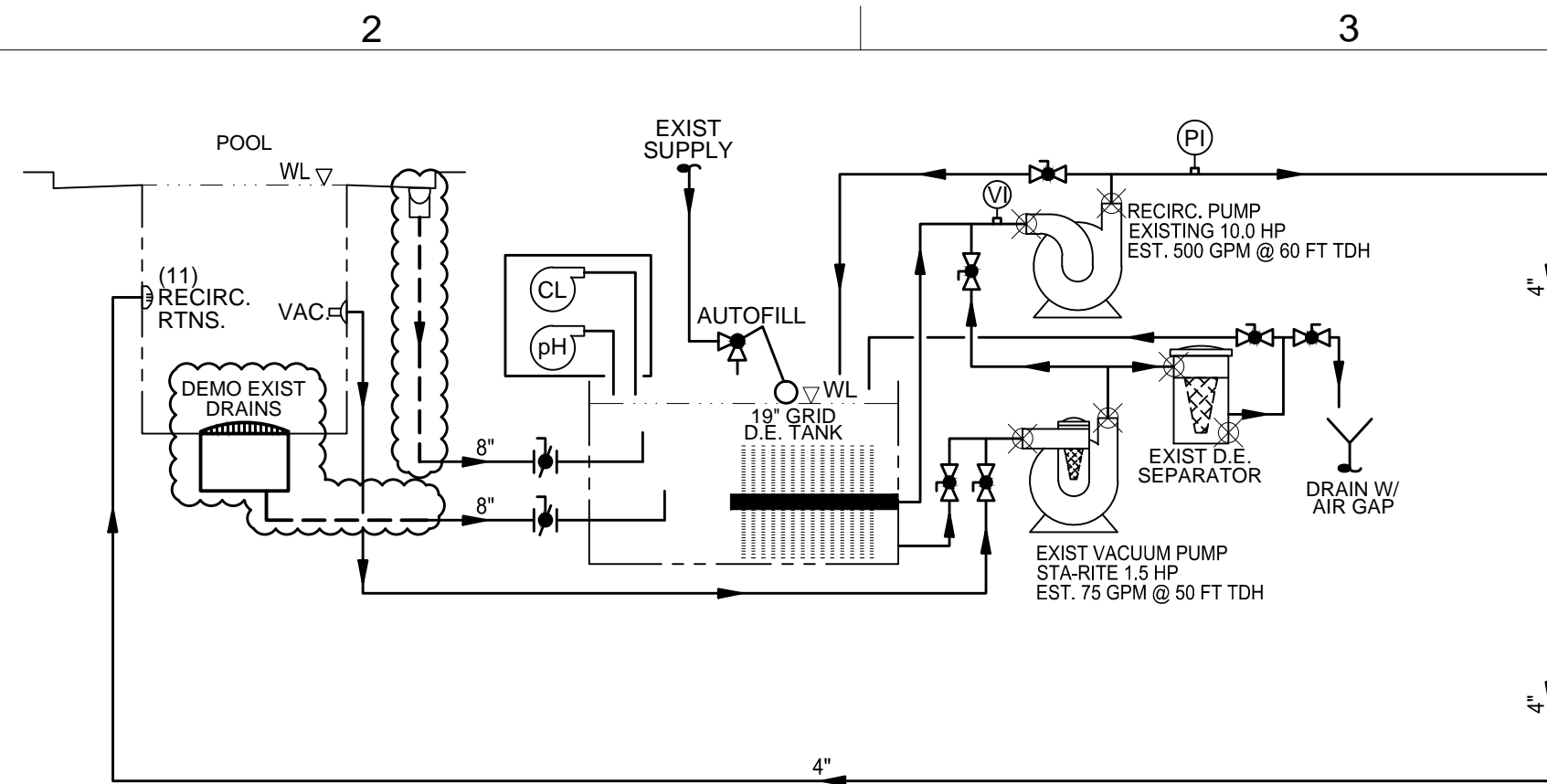
POOL BEAM SECTION OPEN GUTTER MOD.

SCALE: N.T.S.



MAIN DRAIN INSTALLATION & POOL SHELL REPAIRS

SCALE: N.T.S.



EXIST SCHEMATIC

SCALE: N.T.S.

Swimming Pool Regulations

- No food or beverages, drink, glass or animals in pool or on pool wet deck.
- No glass or animals in the fenced pool area (or 50 feet from unfenced pool).
- Bathing load: 72 persons.
- Pool hours: DAWN to DUSK
- Shower before entering.
- DO NOT SWALLOW THE POOL WATER

NO DIVING

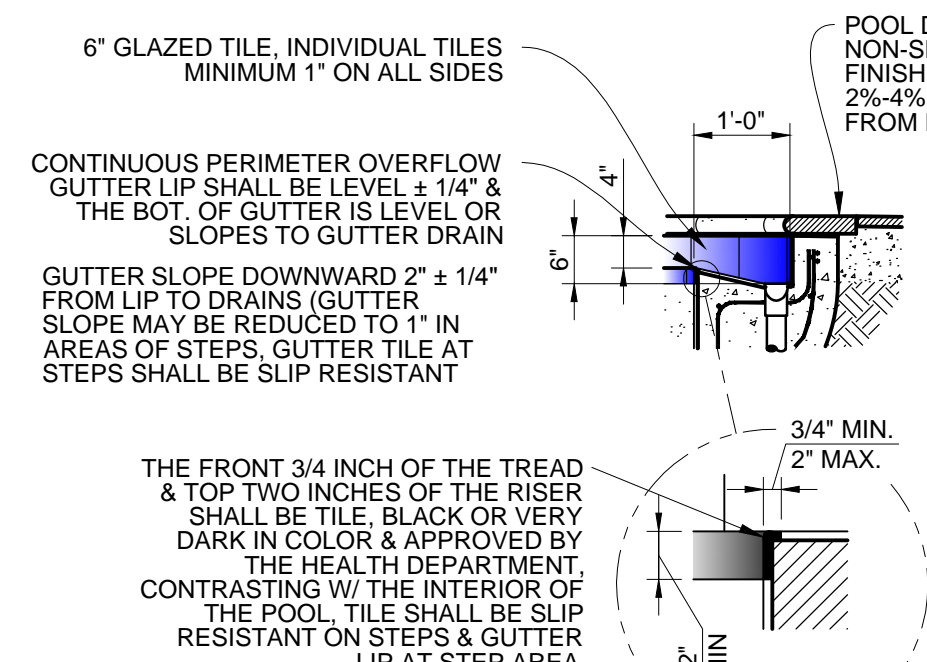
NEW SIGN WORDS REQUIRED

POOL REGULATIONS SIGN DETAILS

- All letters shall be a MIN. of 1" in height except "NO DIVING" shall be 4" high.
- Sign shall be legible from the pool deck.
- The pool shall not be open for swimming at night unless the requirements for lighting as specified in subsection 64E-9.006 (2) (c) are met.
- The sign shall contain at a minimum subsection 64E-9.008 (7)

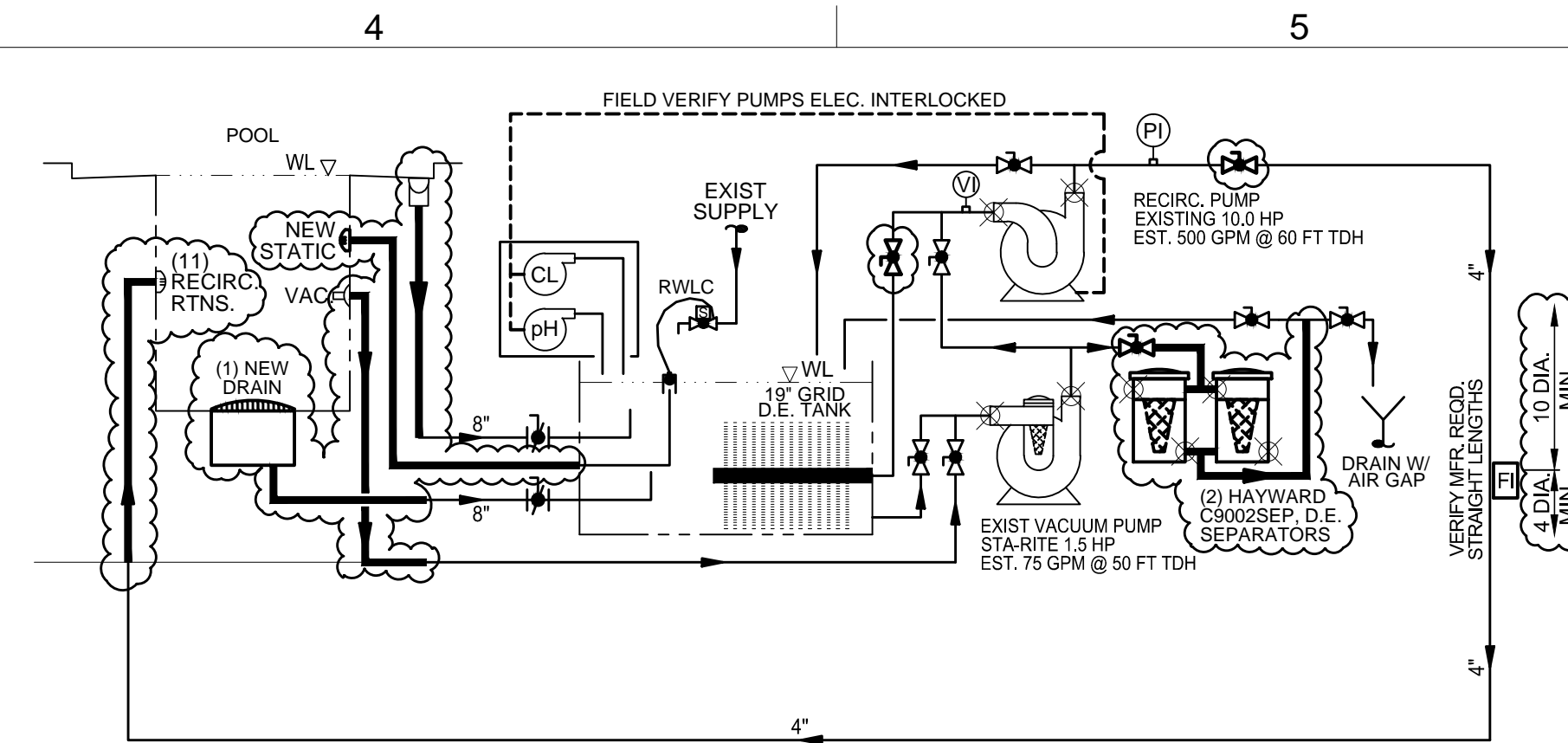
REQUIRED SIGNAGE

SCALE: N.T.S. (SEE POOL REGULATIONS SIGN NOTES)



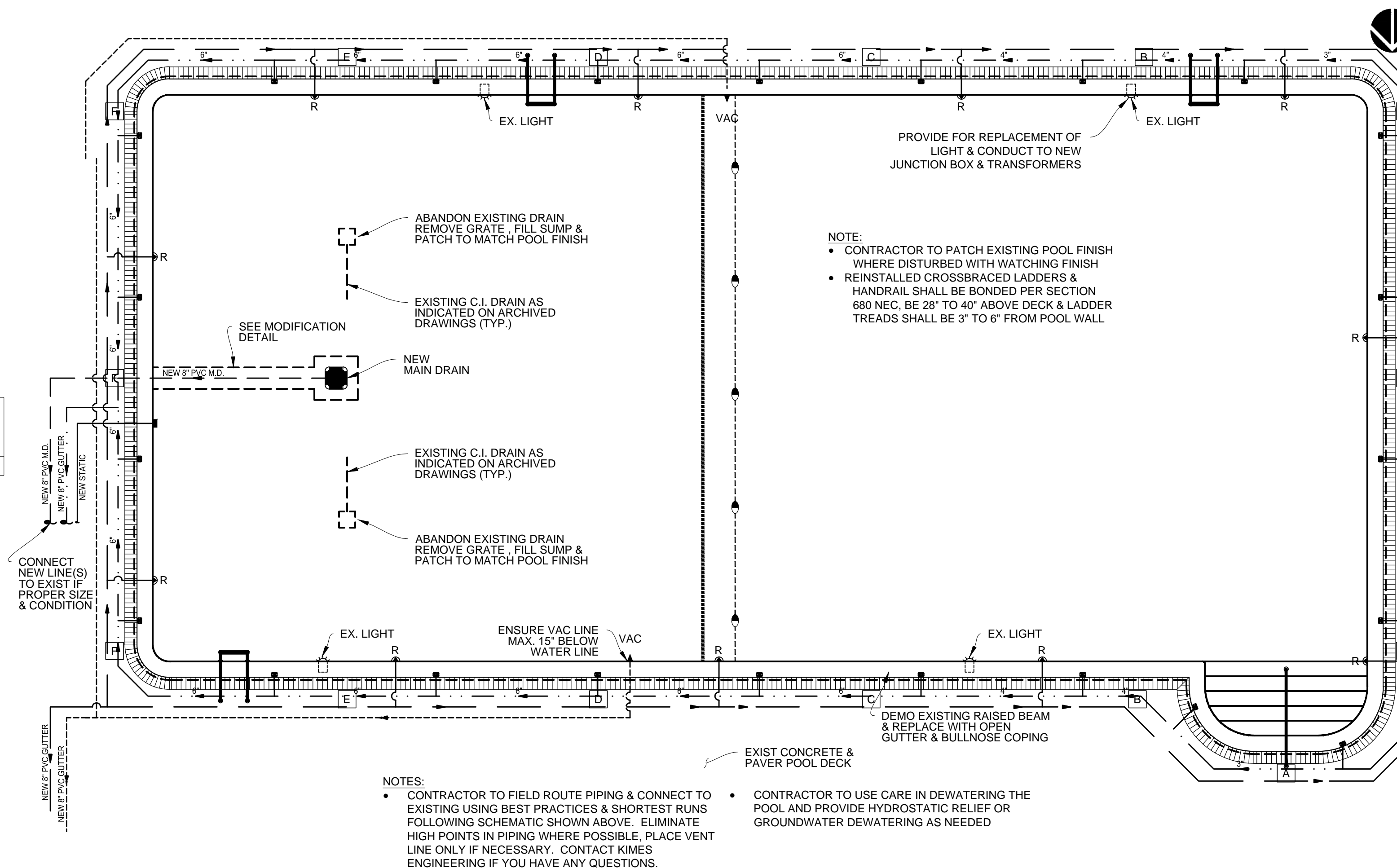
TYP. EDGE TILE DETAIL AT STEP, BENCH OR GUTTER

SCALE: 1/2"=1'-0"



PROPOSED SCHEMATIC

SCALE: N.T.S.



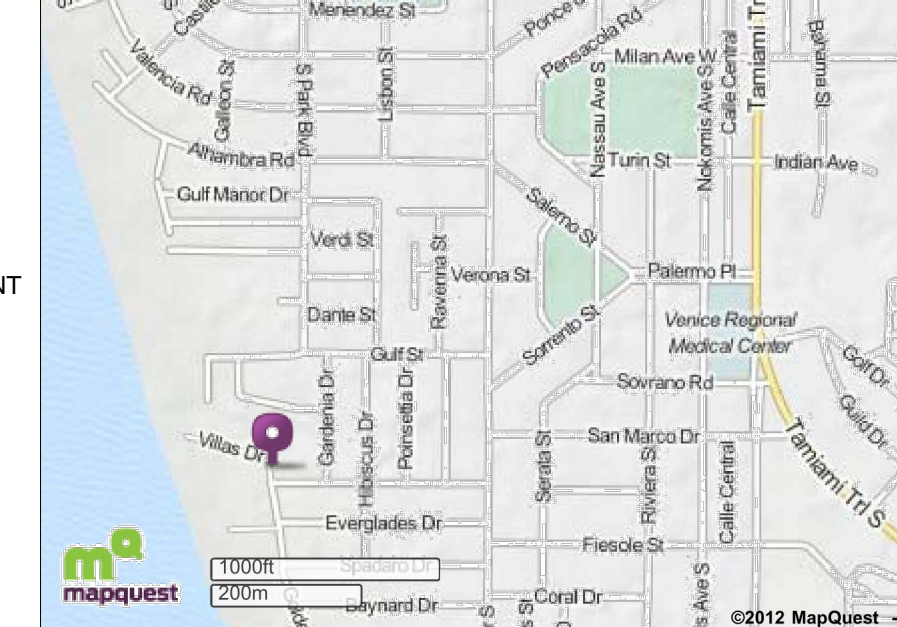
EXIST/ PROPOSED SITE

SCALE: 3/16"=1'-0"



AERIAL VIEW

SCALE: N.T.S.



VICINITY MAP

SCALE: AS NOTED

VILLAS OF VENICE POOL MODIFICATIONS

PERIMETER: 225 FT 6 IN
 AREA: 2,670 SF
 PERMITTED VOL. 124,000 GAL
 PERMITTED RECIRC FLOW: 344 GPM
 PERMITTED BATH LOAD: 72
 TURNOVER: 5.9 HRS (5:52)

POOL RECIRCULATION EQUIPMENT:
 EXIST Recirculation Pump - 10.0 HP
 EXIST Filters - (48) 19" D.E. GRIDS, 180 SF
 EXIST pH Feed - MEC-O-MATIC
 EXIST Chlorine Feed - MEC-O-MATIC

NEW
 Main Drain Cover(s) - (1) AQUASTAR 1216
 Gutter Drains - (23) HAYWARD SP1015
 (2) D.E. SEPARATORS HAYWARD C902SEP, 180SF
 (11) RETURN FITTINGS HAYWARD SP1419
 4 Underwater Light(s) - HAYWARD SP0571N50 (300W 12V with plastic rim)
 4 Fixture Housing - HAYWARD SP0600U DuraNiche PVC Housing
 4 Transformer(s) - 300W 12V
 4 Weatherproof Junction Box(es) - DAYTON 4RG46 or EQUAL
 NEW FLOW METER, GAUGES, & VALVES AS NEEDED

SPECIFICATIONS

SCALE: N.T.S.

GENERAL NOTES FOR POOL / SPA

- This is an existing commercial pool serves the Villas Of Venice.
- This pool is currently permitted with d.e. filtration system at flowing at 344 GPM.
- Electrical equipment wiring & installation including the grounding of pool components shall conform to the National Electrical Code, 2008 Edition. Written evidence shall be provided from the electrical contractor of compliance w/ the National Electrical Code.
- Provision shall be made for storage of chemicals under roof where access is restricted from unauthorized persons. (Provided by owner).
- Contractor to field route piping & connect to existing using best practices & shortest runs following schematic shown on plans. Where possible eliminate high points in piping, place vent line(s) only if necessary.
- Kimes Engineering acknowledges that this plan does not evaluate compliance with all requirements of the current or past commercial pool codes, only for the scope of work as contracted. These plans may not define all the possible and/or necessary modifications & repairs to meet current & past operation, construction, or safety codes due to existing conditions and/or prior work, other than called out for herein by Kimes Engineering.

IF FIELD CONDITIONS DO NOT ALLOW CONSTRUCTION AS SHOWN ON THESE PLANS, OR THE CONTRACTOR CHOOSES TO USE DIFFERENT EQUIPMENT OR METHODS, CONTACT THE ENGINEER FOR REVIEW & MODIFICATION.

SUPPLEMENTAL NOTES

- Equipment including heaters, not contained in a lockable enclosure shall be enclosed by fencing meeting the following requirements.
- Equipment including heaters, shall be enclosed w/ fencing having a self closing self latching & lockable gate.
- All plastic pipe exposed to prolonged sunlight shall be coated (painted) to protect it from UV degradation.

NEW REQUIREMENTS

- The equipment enclosure, fencing & gates shall not have openings that can pass a 4" sphere.
- Provide new or additional words on pool rules sign in MIN. 1" letters - "DO NOT SWALLOW THE POOL WATER."

POOL & SPA RECIRCULATION NOTES

- Plastic pipe exposed to sunlight shall be covered w/ UV protection.
- Plastic Pipe shall have NSF-PW seal of approval.
- Disposal of pool wastewater shall conform to State & County requirements.
- Pool makeup water supply shall be from an approved potable water system & shall have an air break at point of fill.
- Chemical feeds shall be electronically interlocked w/ the recirculation pump.
- Flow meter shall be installed according to mfr. requirements & provide readings 50% to 150% of flow.
- All valves shall be flow proportional.

POOL / SPA PROTECTIVE BARRIER/FENCE NOTES

Barriers are existing - It is recommended that the ownership update child safety barriers.

GENERAL SCOPE OF WORK

- Install or document the main drain cover as meeting VGB act & State requirements for 1.5 fps at design flow.
- Provide added pool rules sign language - "DO NOT SWALLOW POOL WATER"
- Demo existing pool beam, gutter, installing new open gutter with new drains
- Install new static line back to tank
- Install new remote water level control
- Cut & repair shell to add new 8" drain line
- Abandon existing drains
- Install new vacuum lines at pool
- Install new return lines at pool
- Replace all lines between pool & equipment as needed due to condition & size

DATE:	REVISIONS:
DRAWN BY: MCM	REV.: 10-Dec-12
CHECKED BY: JKK	SCALE: AS NOTED
DATE: 3-Dec-12	PRINTED: 10-Dec-12 15:34



©2010 Kimes Engineering and Management Services, Inc.
 This drawing is the property of Kimes Engineering and Management Services, Inc. & is not to be reproduced or copied in whole or in part. It is only for the project & site specifically identified herein & is not to be used on any other project. It is to be returned upon request.

VILLAS OF VENICE POOL MODIFICATIONS VENICE, FL

1

SHEET 1 OF 1

ORIG. DWG: 36"x24" (ARCH D)